

# **LUNA**

## **NEW YORK RS6-1 GUIDE**

USE THIS GUIDE ALONG WITH THE "LUNA NYC BUILDING SAFETY CATALOG" AND NYC DEPT OF BUILDINGS "REFERENCE STANDARD 6-1" TO CHOOSE THE PROPER MIX OF LUNAPLAST™ PRODUCTS FOR YOUR INSTALLATION

Why choose Lunaplast™ photoluminescent (PL) products? Simple: Luna designs and manufactures the very highest quality PL products in the world, and we offer the very best value for your photoluminescent investment.

### Luna is the industry technology leader:

- We introduced the very first Strontium Aluminate signage material
- We created the first UL924 EXIT sign visible at 75 feet
- We designed the first EPA “Energy Star” EXIT sign

### We sell the broadest PL product range on the market:

- We have 3 patents pending
  - We offer a complete range of products, including:
    - Rigid signage
    - Semi-rigid signage and markings
    - Flexible self adhesive signage
    - Flexible anti-skid film
- Plus, the industry's largest selection of material substrates, including:
  - Polyester
  - Polyurethane
  - Acrylic
  - Vinyl
  - Aluminum
  - Aluminum Powdercoat
- We can supply 4 levels of luminance (2100, 2500, 5000, 8500)
- There are unlimited custom applications for Lunaplast™

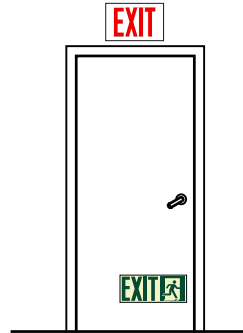
### We can boast of the most prestigious installed base in the world:

- NASA International Space Station
- The Pentagon Building
- Yale Locks & Doors (ASSA ABLOY)
- The Old Executive Office Building (Office of the Vice President)
- Massachusetts Institute of Technology (MIT)
- Los Alamos National Laboratory
- The FBI Building, Washington DC
- US Navy
- US Coast Guard
- The International Monetary Fund
- Sikorsky Aircraft Corp
- Amtrak Railway
- Raytheon Corp
- Bombardier Corp
- Boeing Corp

Lunaplast™ products were chosen for the above applications after exhaustive testing of every PL product available world-wide. No other manufacturer offers the combination of quality, innovation and service that you will find with Luna.

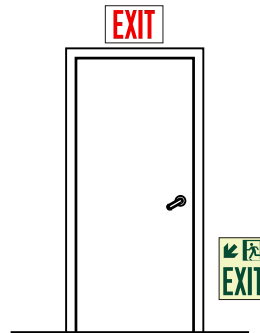
USE THESE LUNAPLAST PRODUCTS IN MOST SITUATIONS TO COMPLY WITH RS6-1\*. FOR UNUSUAL INSTALLATIONS, AREAS PRONE TO VANDALISM, HEAVY WEAR, HIGH TEMPERATURE ETC, PLEASE CONTACT YOUR AUTHORIZED LUNA RESELLER

ENTRANCE DOORS  
TO EXIT (sign on door)  
2.1.1.1



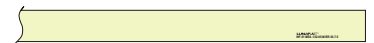
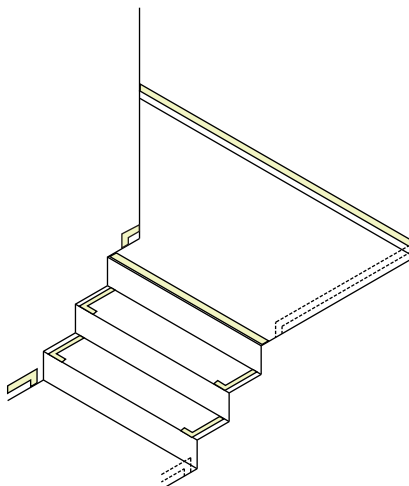
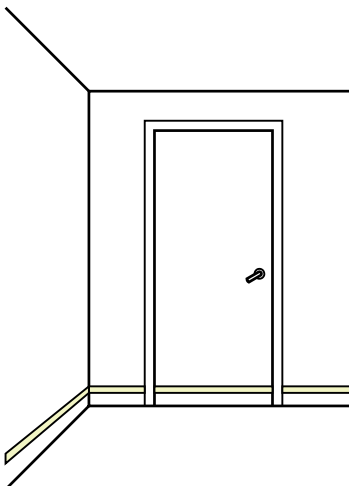
E-00 / 2100 SR  
(attach with double-sided  
foam tape, sold separately)

ENTRANCE DOORS  
TO EXIT (sign beside door)  
2.1.1.2



E-06 / 2100 SR  
(attach with double-sided  
foam tape, sold separately)

PERIMETER DEMARCATION  
2.2.4

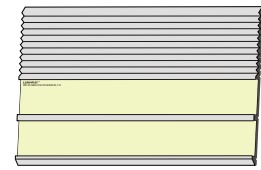
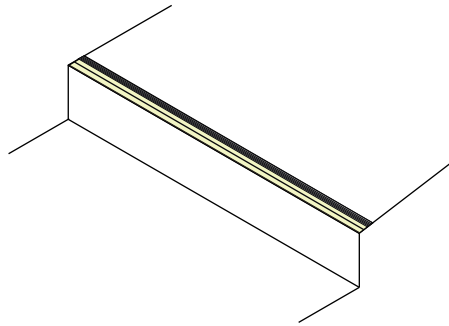


Smooth surface:  
WF-01 / 2100 F

Rough surface:  
WF-01 / 2100 SR  
(use industrial adhesive,  
sold separately)

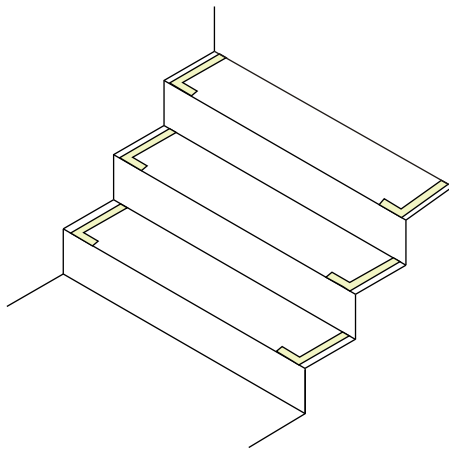
\* SIGNS & MARKINGS NOT TO SCALE

### LANDING EDGES 2.2.2



WF-09 / 2100 A  
(use industrial adhesive,  
sold separately)

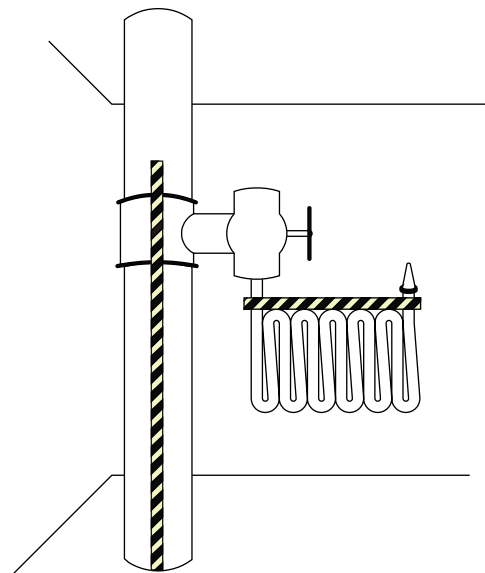
### STEPS 2.2.1



Smooth surface:  
WF-07 / 2100 F

Rough surface:  
WF-07 / 2100 SR  
(use industrial adhesive,  
sold separately)

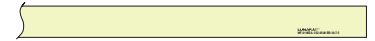
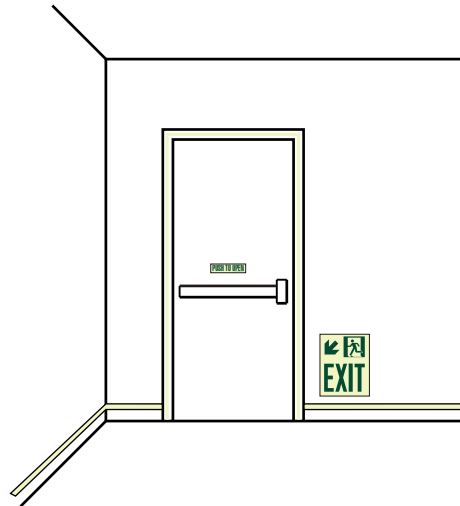
### OBSTACLES 2.2.5



WF-04 / 2100 F

\* SIGNS & MARKINGS NOT TO SCALE

INTERMEDIATE  
EXIT DOORS  
(push bar)  
2.2.9



WF-01 / 2100 F

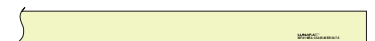
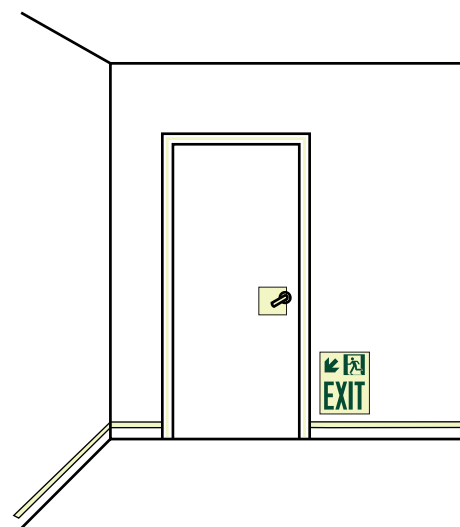


E-12 / 2100 F



E-06 / 2100 SR  
(attach with double-sided  
foam tape, sold separately)

INTERMEDIATE  
EXIT DOORS  
(door handle)  
2.2.9



WF-01 / 2100 F



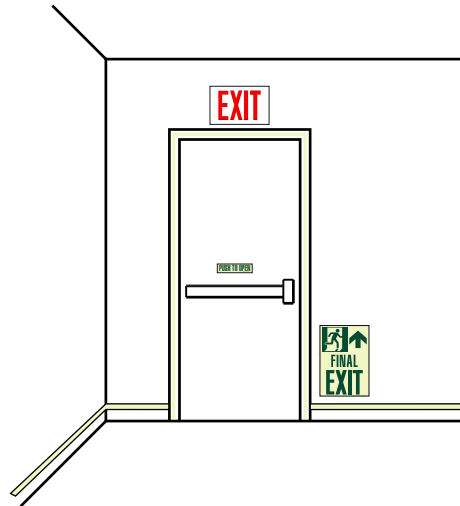
E-15 / 2100 F



E-06 / 2100 SR  
(attach with double-sided  
foam tape, sold separately)

\* SIGNS & MARKINGS NOT TO SCALE

FINAL  
EXIT DOORS  
(push bar)  
2.2.9



WF-01 / 2100 F

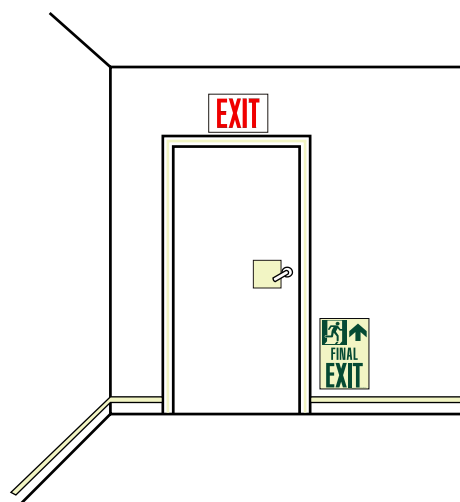


E-12 / 2100 F



E-08 / 2100 SR  
(attach with double-sided  
foam tape, sold separately)

FINAL  
EXIT DOORS  
(door handle)  
2.2.9



WF-01 / 2100 F



E-15 / 2100 F



E-08 / 2100 SR  
(attach with double-sided  
foam tape, sold separately)

\* SIGNS & MARKINGS NOT TO SCALE

### Situations not covered by this simplified guide:

- 1) 2.2.3 Handrails: Handrail markings are not required in existing buildings (plans approved prior to July 1, 2006) although they are recommended. Please see RS6-1 for more details.
- 2) 2.2.6 Directional signs upon entering an exit: Directional signs are not required in existing buildings (plans approved prior to July 1, 2006) EXCEPT in areas below grade. Please see RS6-1 for more details.
- 3) 2.2.7 Directional signs where egress direction is not clear: Directional signs are required when the egress path includes a transfer level or corridor, or where the direction of egress is not perfectly clear. Please see RS6-1 for more details.
- 4) 2.2.8 “Not An Exit” signs: Signs on any doors in the egress path that lead to dead ends are not required in existing buildings (plans approved prior to July 1, 2006) although they are recommended. Please see RS6-1 for more details.

### Other considerations:

- 1) Winding stairs: In older buildings with winding stairs, side edge markings (2.2.1, Exception 2) are not applicable. Full width photoluminescent markings as per 2.2.1, Exception 1 are required in this case. Please see RS6-1 for more details.
- 2) Outdoor balconies: In older buildings that have Fire Towers with outdoor balconies, the door onto the balcony qualifies as a door opening to “exit” (2.1) and then the door from the balcony into the Fire Tower stairs also qualifies as door opening to “exit” (2.1). Please see RS6-1 for more details.
- 3) Activating illumination: Under the 1968 NYC building code a minimum of 2 foot candles of illumination is required in exit stairways at all times. In older buildings not covered by the 1968 NYC building code, lower levels of illumination in exit stairways may be legal, but may not be sufficient to activate the photoluminescent markings. Building owners should consider increasing the illumination level in their stairwells to a minimum of 2 foot-candles regardless of which building code covers their building, in order to maintain sufficient illumination to ensure the safety of the building occupants in the event of a total power outage. Please see RS6-1 for more details.

### More Information:

Please contact Luna Technologies International Inc if you have any questions about the details of Reference Standard 6-1 or NYC Local Law 26 photoluminescent markings requirements.

International Toll Free: 888-995-8883

In New York City: 646-706-1807

On the Internet: [www.lunaplast.com](http://www.lunaplast.com)

# **LUNA**